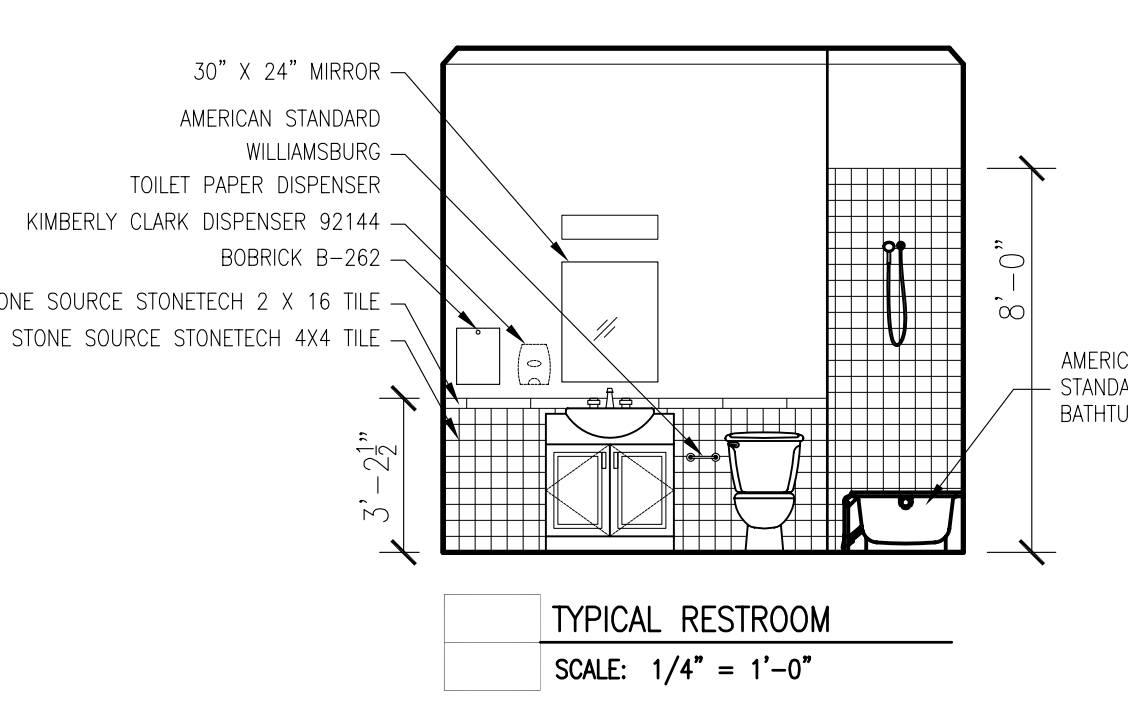
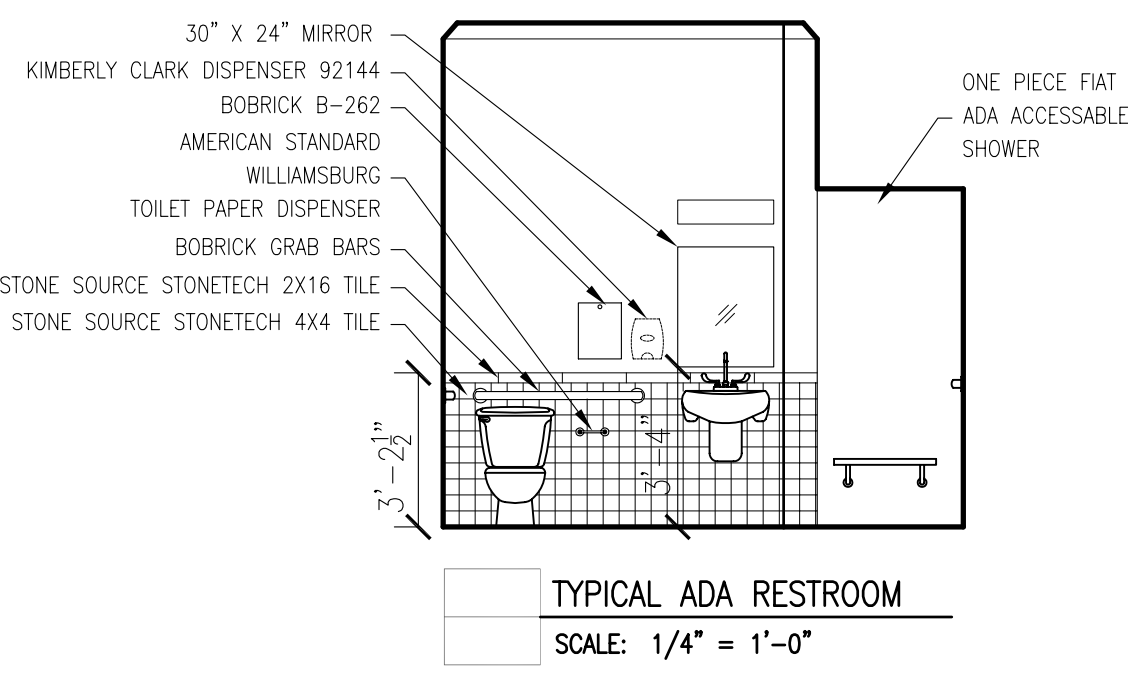
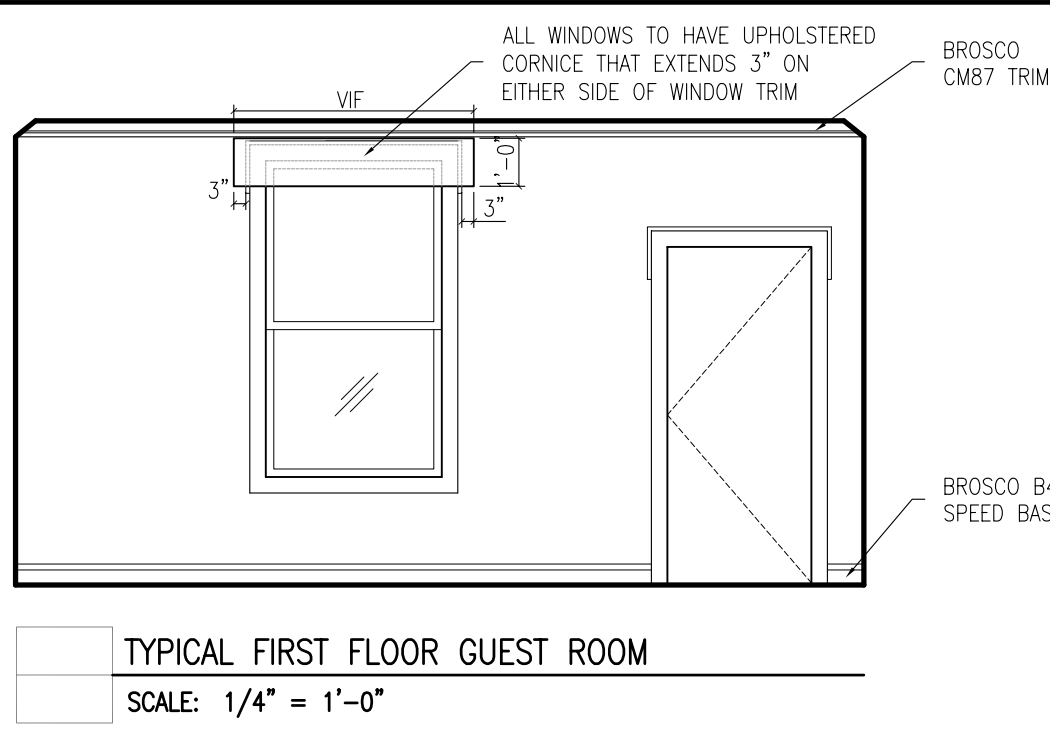


NOTE: SEE A8.5 FOR FINISH SCHEDULE AND FINISH LEGEND

ACCESSORY & SPECIALTIES KEY:

- ALL ACCESSORIES TO BE FURNISHED & INSTALLED BY CONTRACTOR.
- MECHO SHADE
 - FIRE EXTINGUISHER
 - AMERICAN STANDARD TOILET PAPER DISPENSER WILLIAMSBURG
 - BOBRICK PAPER TOWEL DISPENSER B-262
 - 2'-0" X 2'-6" TEMPERED SAFETY MIRROR WITH 1" ALUMINUM FRAME WITH EASED EDGE
 - KIMBERLY CLARKE SOAP DISPENSER
 - BOBRICK HANDICAP GRAB BARS



Rev.	Description:
12/1/06	Issued for Pricing
4/12/07	Issued for Permit
7/20/07	Issued for Owner Review
9/19/07	Issued for Bidding

